

“Please check whether you have got the right question paper.”

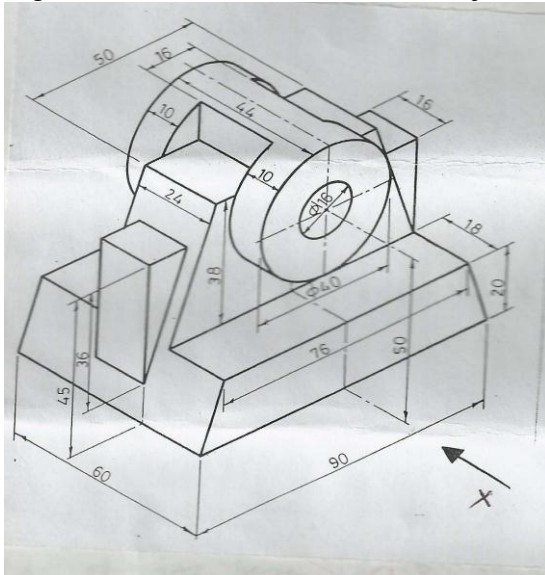
- N.B**
- 1) Solve any three questions from each section.
 - 2) Assume suitable additional data if required and state the same clearly.
 - 3) Figures shown to the right hand margin indicate full marks.

SECTION A

- Q.1 Draw projections of a line AB, 65 mm long and inclined at 45° to H.P and 30° to V.P End A is 10mm above H.P and 15mm in front of V.P. 13
- Q.2 A line CD 80 mm long has its end C, 20mm behind V.P and 30mm below H.P, while its end D is 60mm behind V.P. and 60mm below H.P. draw the projections line CD, find its HT and V.T. also find inclination of the line CD with H.P and V.P. 13
- Q.3 A circular disc of $\phi 60mm$ and negligible thickness rests in H.P on its rim such that one of its diameter is inclined at 45° to the H.P and 30° to the V.P. draw its projections. 13
- Q.4 A pentagonal pyramid, base 30mm side and axis 70mm long has one of its slant edges in the H.P and inclined at 60° to the V.P. draw the projections of the solid when the apex is towards the observer. 14
- Q.5 A right circular cone, diameter of base of 55mm and height 65mm lies on one of its generators on H.P with its axis parallel to V.P. A vertical section plane, parallel to V.P and 10mm away from the axis, cuts the cone. Draw the top view and sectional front view of the cut cone. 13

SECTION B

- Q.6 A frustum of a square pyramid has its base 50mm side top 25mm side and height 75mm. draw the development of its lateral surface. Also draw the projections of the frustum (when its axis is vertical and a side of its base is parallel to the V.P), showing the line joining the mid-point of a top edge of one face with the mid-point of the bottom edge of the opposite, face by the shortest distance. 13
- Q.7 Fig-1 shows Isometric view of an object draw front view, top view and side view. 14

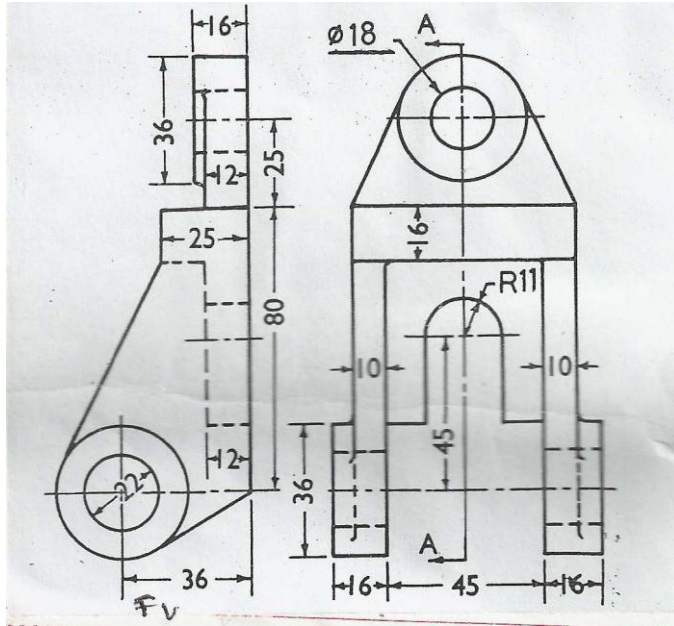


Q.8

Two views are given in fig-2 draw

13

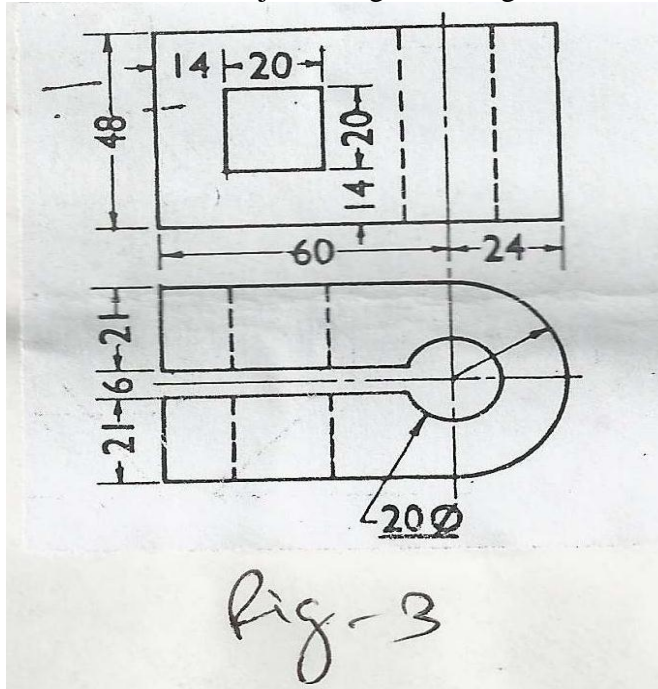
- 1) sectional F.V. section A-A
- 2) top view
- 3) left hand side view



Q.9

Two views of an object one given in fig 3. Draw its Isometric view.

13



Q.10

Draw free hand sketches of the following (any three)

13

- 1) British association thread
- 2) Slatted hut
- 3) Lewis foundation bolt
- 4) Single riveted butt joint
- 5) Symbols of welding joints.